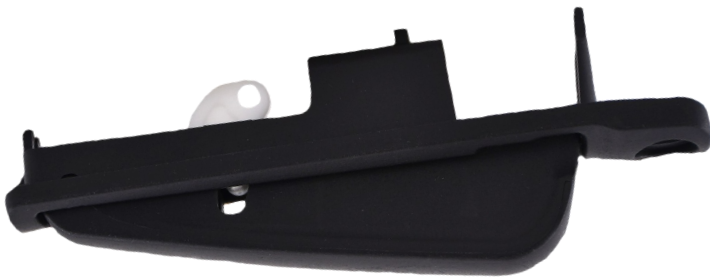


020-7910
Inside Squeeze
Release - Remote



This NEW Inside Squeeze Release was specifically designed for off-highway vehicle applications including agricultural and construction equipment that require a remote inside release. The robust construction is incorporated into either 25 or 32mm round tubing for support for the opening and closing functions of the door and provides for greater ease of operation.

DESIGNED FOR:

- Light to medium weight doors for off-highway vehicle applications
- Doors where it is desirable to have the inside release integrated into door tubing and remotely located to the latch location—can be positioned at any point along the tube for convenient location to suit the door/cab design
- Integration into 25 or 32mm outside diameter tubing

Global Locations:

TriMark Corporation
500 Bailey Avenue
P.O. Box 350
New Hampton, Iowa 50659
United States
Tel: 641-394-3188
Fax: 641-394-2392
1-800-447-0343
www.trimarkcorp.com

TriMark Europe
Unit 3 Sence Court
Bardon Hill
Coalville
Leicestershire LE67 1GZ
United Kingdom
Tel: +44(0)1530 512460
Fax: +44(0)1530 512461
www.trimarkeu.com

TriMark (Xuzhou)
Building A5 Jingwu Road
Xuzhou Economic
Development Zone
Xuzhou, Jiangsu
221004 PR China
Tel: +86 516 8773 0018
Fax: +86 516 8773 0058
www.trimarkcn.com



TriMark. Interactive. Product. Selector



TriMark



TriMark Corporation



TriMark Corporation

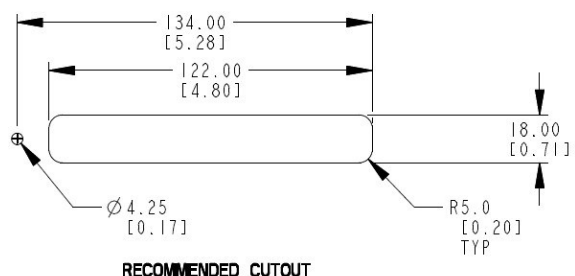
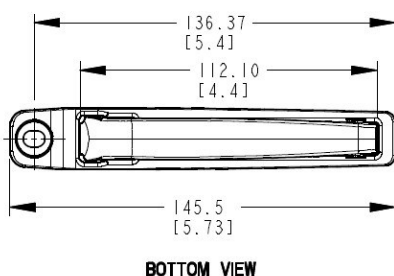
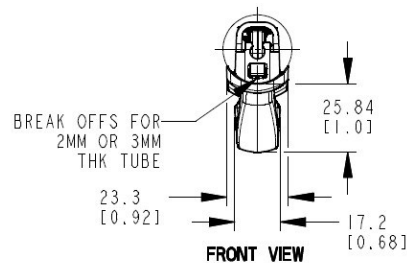
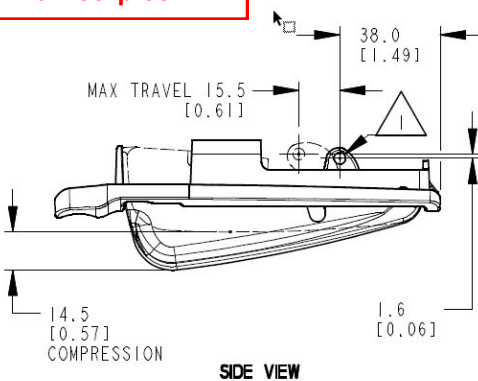
FEATURES/BENEFITS:

- Robust designed remote inside release is incorporated into round tubing which gives additional door structure support and assistance for the opening and closing functions of the door
- Provides for greater ease of operation (ergonomics) and features a broader hand contact with no finger pinch
- The inside release is connected by a rod 4mm (.157") or cable to the latch, includes an integrated return spring and provides for 16mm (.630") travel maximum
- Improved operating force under high door seal loads - drive cam has no contact with tubing inside diameter to eliminate rough or welded seam friction effects

AVAILABLE:

- As an inside release sub-assembly for installation into your door tubing
- In 25mm (.98") or 32mm (1.26") steel tubing diameters, painted black
- In different tubing lengths with various inside release positions and 90 degree mounting end
- Customization is available including formed tubing (please inquire)

For more information visit
www.trimarkcorp.com



- As a complete modular system including exterior handle, direct release latch, latch striker, inside release, gaskets, mounting brackets, latch cover, door tube and all necessary fasteners

MATERIAL/FINISH:

- Handle and sleeve: Glass reinforced nylon - black
- Drive cam: acetal plastic
- Return spring: music wire - zinc plated

INSTALLATION:

- Inside release sub-assembly - installs with a single M5 self-tapping pan head screw
 - ◊ Recommended mounting fastener torque to be 4 - 4.5 N-m (35-40 in-lbs.)
- Can be provided with tubing pre-fastened to latch that requires a single fastener at the mounting end to secure the assembly to the door or the inside release can be supplied as a sub-assembly that easily installs into your door tube

Caution: Product does not meet the locking requirements for FMVSS206 (ECE R11).

All part dimensions are for reference only. Refer to individual part drawings for complete dimensions, specifications, and installation procedures. Engineering assistance and application drawings are available.